



**contents:**

What is TFS?

Designer's Guide to Tension Fabric

Stock Shapes

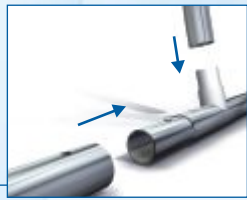
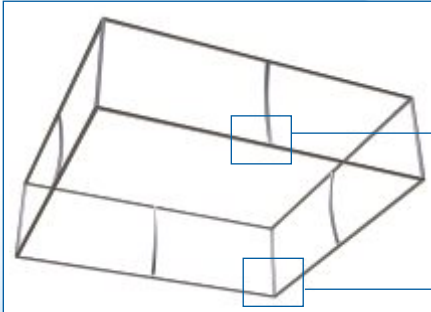
Custom Profiles

Design Services

Art Requirements

**tension fabric...**

is a frame made of aluminum tubing

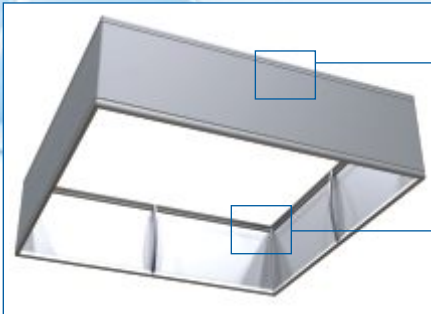


snap joint and rib with delrin connector



welded corner joint

which is covered by a fabric skin



outside: fabric skin with spandex sleeve



inside: spandex sleeve with zippers tensions the skin

USE IT FOR...

overhead signage



attached signage



canopy



integrated into booth design



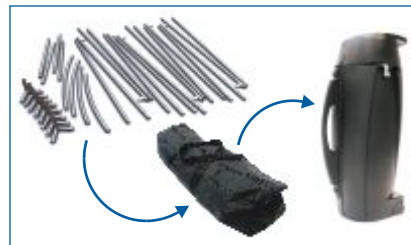
**what is so great about tension fabric?**

relative to traditional "hard" exhibit materials:

it is lightweight



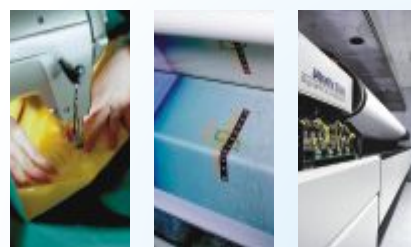
it dismantles and ships compactly



it's custom-made, so we work with you to achieve superior integration



we are fabric experts so you have a wide range of graphics options



even the whole booth!



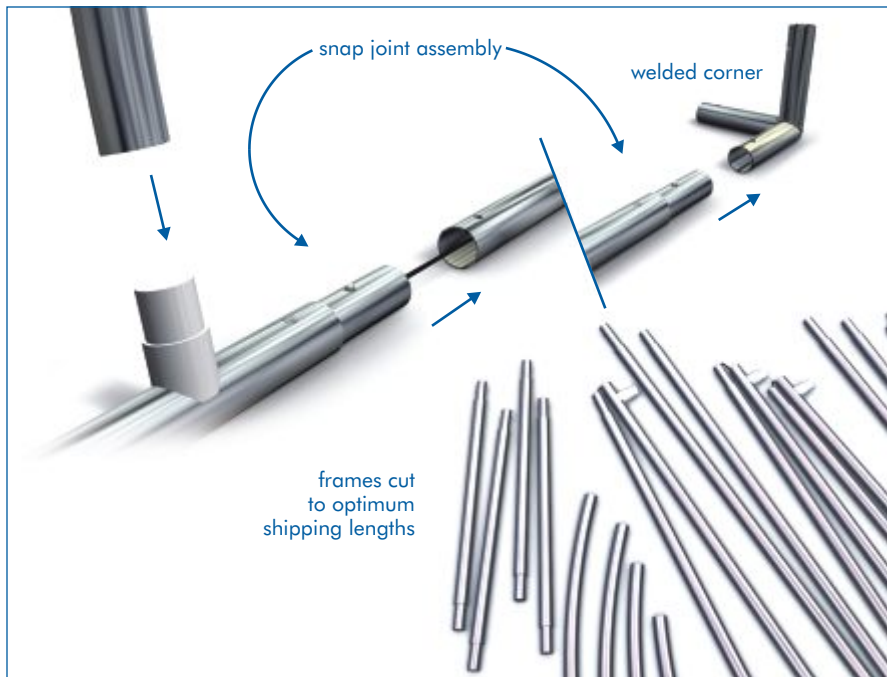
special event structures



architectural / interior design elements



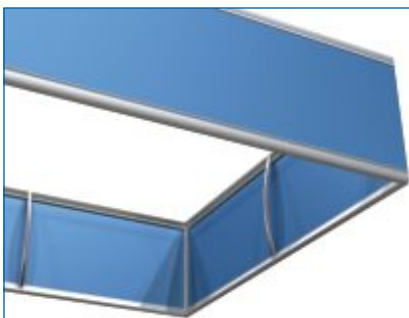
**construction**



**skin finishing**

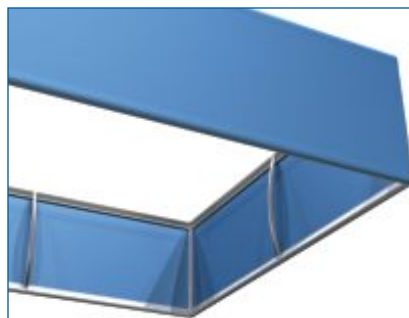
**normal finish**

ribs and white or black spandex sleeves are visible



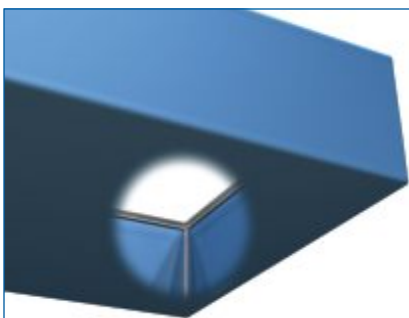
**hidden sleeves**

outside of skin shows only fabric; sleeves and ribs visible inside



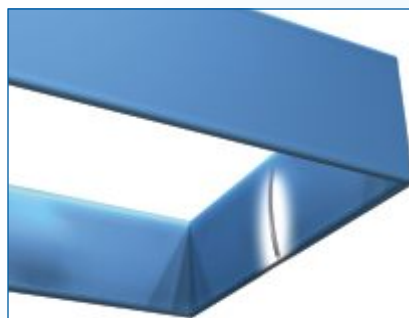
**hidden sleeve with bottom panel**

top sleeve is hidden; fabric is sewn along underside & can be printed



**pillowcase**

inside and out are covered with fabric so frame is invisible

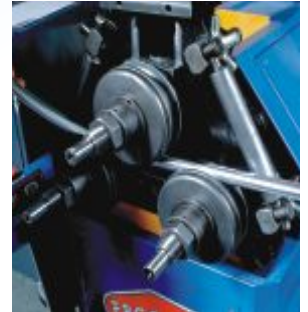


how is it made?

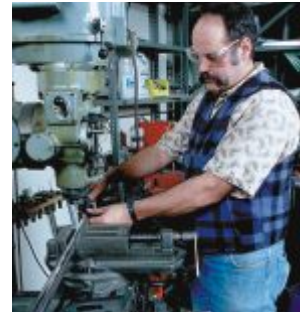
tubing is cut to size



then bent as required for ribs or curved shapes



it is drilled and riveted to create snap joints



corners and specialty parts are custom welded



skins are tailored to fit the frame for a tight, professional look

